

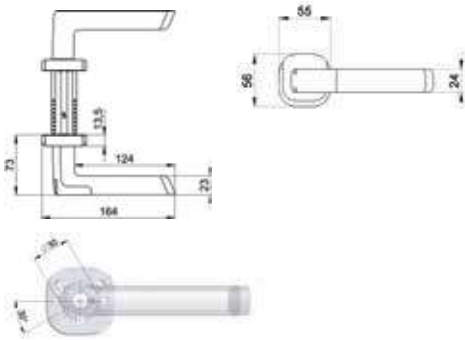
# Aperio® H100

Access control handle - for use in indoor areas

**ASSA ABLOY**  
Opening Solutions



The global leader in  
door opening solutions



## Product description

- Wireless Aperio® handle which can be integrated into any access control system via AADP protocol integration or via Aperio Wiegand Hub
- Used with Australian Mortice Lock (8mm) - in wooden, steel and tubular-frame doors (and glass doors with standard lock cases)
- Online or offline mode is selected in software during product initialisation (accessories PAP tool and radio dongle or cable required)
- When online, communication from hub to the Online Access Control System (addressable) - access decision in the EAC system
- All electronics and functionality are in the outside part of the handle
- Outside handle rotates freely - inside handle always engaged
- LED for status visualisation
- Discrete handle with minimum footprint and contemporary design

## Scope of delivery

- 1 pair of handles with battery (Lithium CR123A) and installation instructions
- Cuttable fixing screws
- 8mm spindle
- Accessories pack

## Technical data - Access control handle

	<b>Authentication</b>	One level of authentication - CARD only
	<b>Approvals</b>	CE, EN1906: 26-B010B RCM
	<b>Dimension</b>	55 x 55 x 13,5 mm (Rose dimensions H x W x D)
	<b>Version</b>	Interior doors
	<b>Handle</b>	L-Shape, U-Shape through adapter (accessory)
	<b>Surface</b>	Satin chrome
	<b>Spindle</b>	8mm Spindle
	<b>Door leaf thickness</b>	Between 35-80mm but with accessory "10mm distance ring" thinner doors can be used
	<b>Battery</b>	1 x Lithium CR123A
	<b>Battery life (Based on reader type)</b>	High Frequency Multiclass: 30 openings per day for 50 months
	<b>Radio standard</b>	IEEE 802.15.4 (2.4 GHz)
	<b>Encryption (radio communication)</b>	AES 128 bits
	<b>Distance between the RFID-Reader and hub</b>	Up to 25m depending on the building environment
	<b>Class of protection</b>	IP42
	<b>Operating temperature range</b>	0°C to 55°C
	<b>Relative humidity</b>	< 85% (condensation-free)
	<b>Status</b>	LED (red/green/orange)
	<b>RFID Technologies (Based on reader type)</b>	High Frequency Multiclass : iCLASS®/ISO 14443B; iCLASS® Seos; MIFARE™ Classic; MIFARE™ Plus; MIFARE™ DESFire™ EV1
	<b>RFID reading</b>	UID / Sector / Block / Application / File
	<b>RFID Reading range</b>	< 4 cm
	<b>Communication interfaces</b>	Communication via radio (USB dongle) or USB type B adapter (accessory)
	<b>Offline and Online operation modes</b>	Aperio® Online; Aperio® Offline; Aperio® Standard OSS Offline

**Head Office**  
ASSA ABLOY Australia Pty Limited  
235 Huntingdale Road  
Oakleigh Victoria 3166  
Australia  
+61 1300 562 587

www.assaabloy.com.au